

Before installing any header, all cabinets must be stable and level and in their final location.

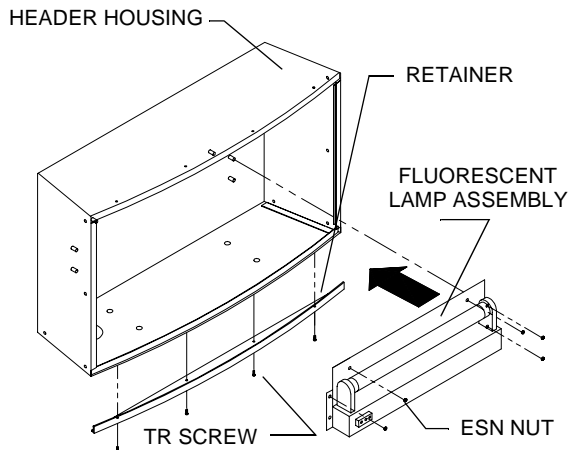
Turn off AC power and unplug line cords. Lay out all components before installation to ensure you know what each part is. Seek assistance when lifting headers atop cabinets. Observe grounding precautions.

As an alternative to these instructions, you may assemble headers atop cabinets to avoid lifting after assembly.

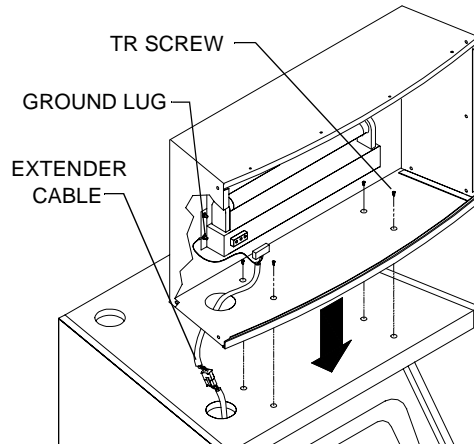
Single Header Installation

1

Remove all items from carton. Inspect for damage. Align Retainer holes with holes at bottom of Header Housing. Fasten with tamper resistant screws. Align Fluorescent Lamp Assembly with studs in rear of Header Housing. Fasten with ESN nuts, but leave a nut off the bottom left stud.



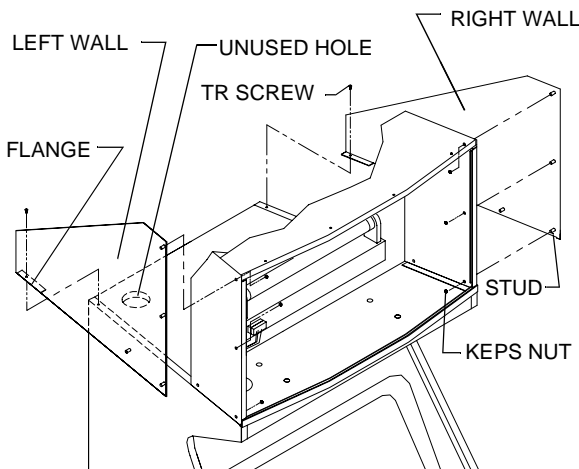
2



Connect Extender Cable to main harness and run it through holes in top of cabinet and bottom of Header Housing. Connect it to Lamp Assembly. Place ground lug over bottom left stud on Lamp Assembly and fasten with ESN nut. Align Housing with holes atop cabinet and fasten with tamper resistant screws.

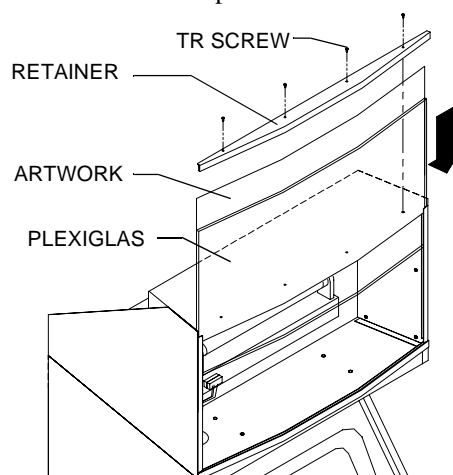
3

Fasten studs on left and right Walls to Header Housing with KEPS nuts. Fasten Wall flanges to cabinet with tamper resistant screws. Peel off transparent protective layer on each Wall.



4

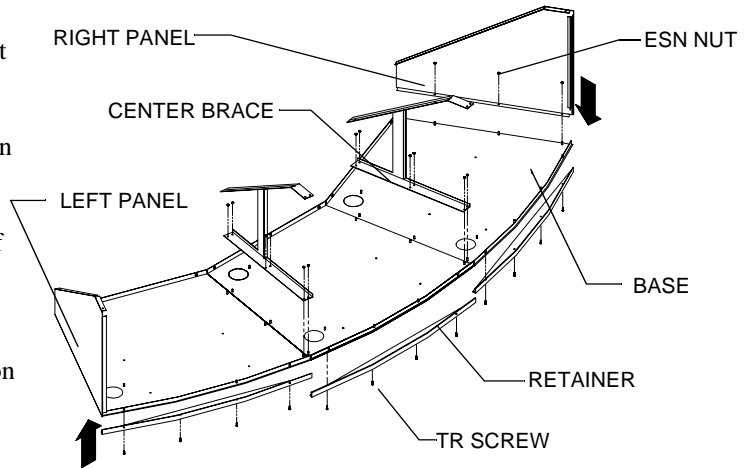
Bend artwork and Plexiglas to conform to shape of Header Housing. Slide artwork and Plexiglas into Housing. Align top Retainer with top panel of Header Housing and fasten with tamper resistant screws.



Triple Header Installation

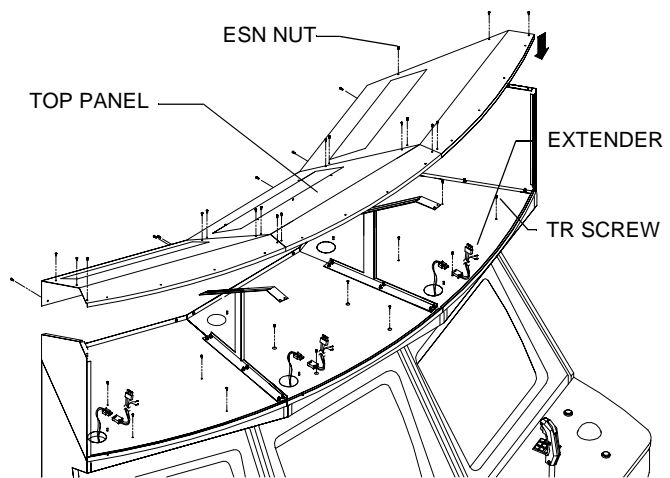
1

Remove all items from cartons and inspect for damage.
 Note that you may wish to install this directly on top of the cabinets, rather than lifting the assembly in step 2.
 Otherwise, align Bases on flat surface. Align Retainer holes with holes in front of Bases. Fasten with tamper proof screws from beneath.
 Align Center Braces on Base posts where Bases meet. Align right and left Panels on far ends of Bases. Fasten with ESN nuts.



2

Align Top Panel holes over left and right Panels and Center Braces. Fasten with tamper proof screws from above.
 Lift assembled header atop aligned cabinets with open side facing front.
 Align lower retainer to cabinet front. Attach Bases to cabinet with tamper proof screws.
 Connect Extender Cables to AC cables through holes in front tops of cabinets.



3

Bend artwork and Plexiglas slightly to conform to shape of header. Slide into front of assembly. Align Retainer holes with Top Panel holes and fasten with tamper resistant screws from above.
 Smooth out artwork from behind.
 Hold Fluorescent Lamp Assemblies in position above headers to attach Extender Cables to Lamp connectors.
 Place ground lugs over studs on Lamp Assemblies and Base panels. Fasten with KEPS nuts.
 Place Fluorescent Lamp Assemblies on Top Panels with bulbs inside header assembly. Fasten with tamper proof screws.

